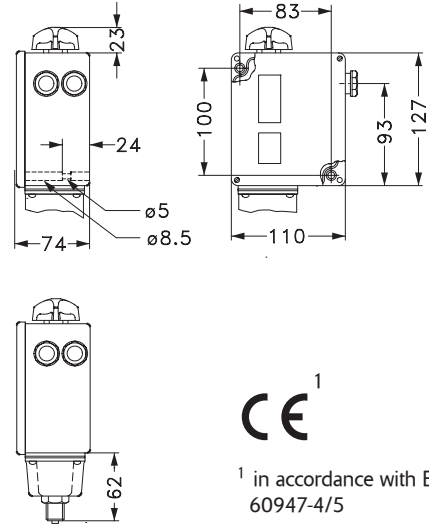


Alarm Pressure Switch

017

Technical Features

- **Dimensions** : 66mm (2.6") Width x 107mm (5.87") Depth x 105mm (4.13") Height
- **Enclosure** : Cover - Plastic (Polyamide)
Base - Bakelite, according to DIN 53470
- **Pressure connection** : G ³/₈ A according to ISO 228/1
- **Switch Contacts** : One contact set of Single Pole Double Throw (SPDT) switch contacts and AC-1 (ohmic) 10A@400V, DC 13/14 12W, 230V
- **Conduit Entrances** : 2 PG 13,5 for 6-14mm diameter cables
- **Environmental Specifications** : Indoor or outdoor use ;
Temperature Range : -50°C (-58°F) to 70°C (158°F) ;
IP65 rated enclosure according to IEC 529 and DIN40050



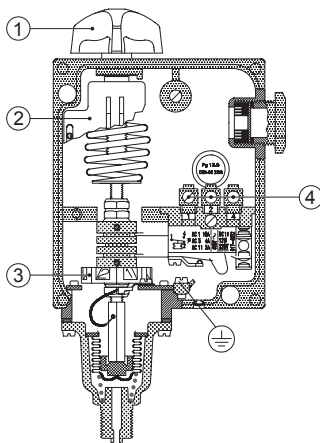
Alarm Pressure Switch - 017

Physical Data

Reference	Min. Setting Pressure (bar/psi)	Max. Setting Pressure (bar/psi)	Min./Max. Differential Pressure (bar/psi)	SPDT Contact Set(s)	Thread Size	Weight (kg/lbs)
017-520311	1.0 / 14.5	10 / 145.0	0.3-1.3 / 4.4-18.9	1	G ³ / ₈ A	1.0 / 2.0
017-523711	0.2 / 2.9	6 / 87.0	0.25-1.2 / 3.6-17.4	1	G ³ / ₈ A	1.0 / 2.0

Alarm Pressure Switch - 017 Parts

Item	Description
1	Setting Pressure Knob
2	Range Scale
3	Differential Setting Disc
4	Switch Contacts

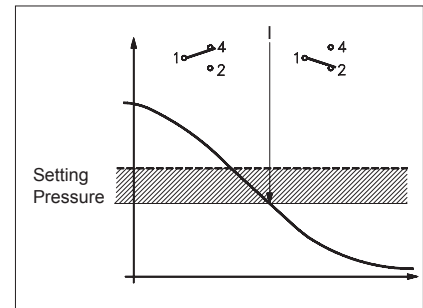


Alarm Pressure Switch - 017

Operating Instructions

Falling Pressure

When the pressure falls to the Setting Pressure (1), Switch Contacts (4) 1 and 2 make and Switch Contacts (4) 1 and 4 break.



Rising Pressure

When the pressure rises to the Setting Pressure (1) plus Differential (3), the Switch Contacts (4) 1 and 4 make and Switch Contacts (4) 1 and 2 break.

